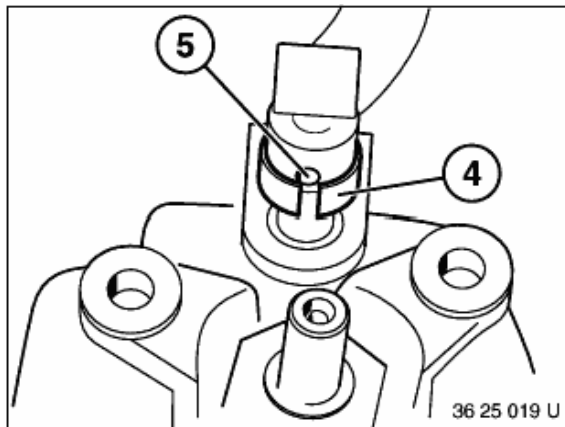


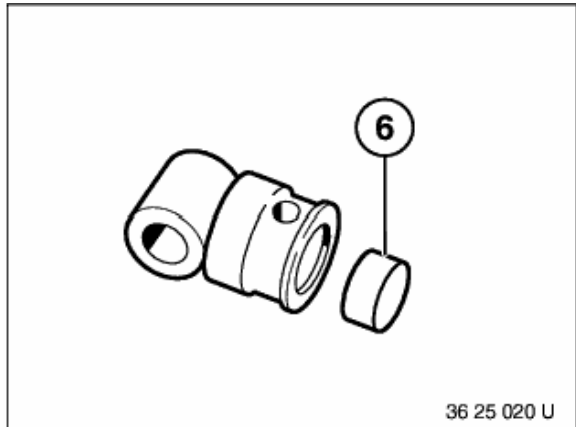
Removing transmission propeller shaft,
refer to 26 11 000
Remove retainer (1).
Remove washer (2).
Remove selector rod (3).

Installation:

Coat bearing with Klüber Poly Lup GLY 801, Sourcing
Reference BMW Parts Service.



Slide back retaining sleeve (4).
Drive out cylindrical pin (5).



Installation:

Check damping disc (6) in joint and replace if necessary.